



# Save Our Dark Skies

## You can help reduce light pollution

Environmentally responsible outdoor lighting is

- shielded
- directed toward the ground
- uses timers/dimmers/motion sensors

### Safety

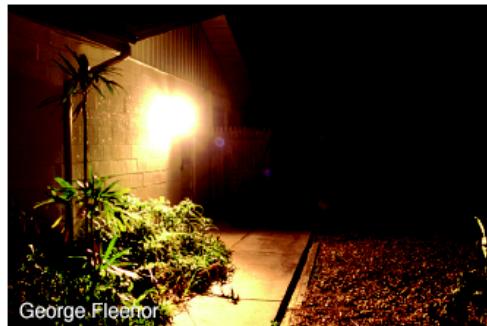
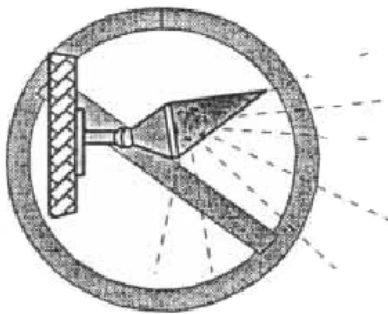
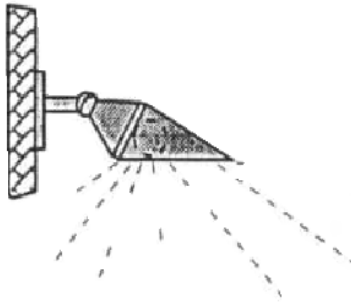
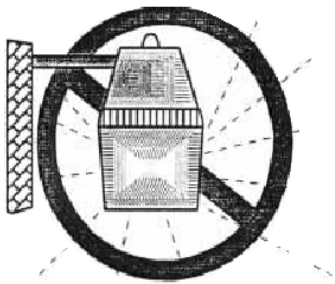
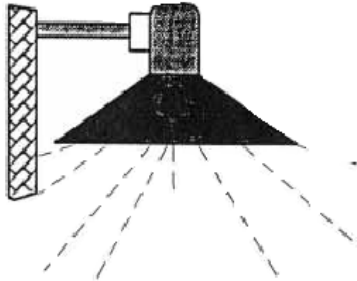
Unshielded fixtures that create glare and splatter light everywhere may make a property less safe by not focusing the light where it is needed.

### Energy/Cost Savings

The downward concentration of light created by fully shielded fixtures typically requires a lesser wattage lamp than traditional lighting because every bit of illumination is directed where it can make a difference.

### Wildlife

Light pollution produces a continual state of “twilight” in the habitats around us. This twilight affects the mating habits, feeding patterns, and navigational skills of animals, birds, amphibians, reptiles and insects. Even certain trees are induced to shed their leaves out of cycle, disrupting the basis of the food chain.



George Fleener  
The glare from an unshielded light creates deep shadows.



George Fleener  
The glare from the light hid a possible attacker.



IDA  
Fixture shields can be made from household objects. This shield is made from a rain gutter.



IDA  
Fully shielded lighting casts light on your porch, not your neighbor's yard.

Fixture illustrations by Peter Talmage

Information from International Dark-Sky Association • [www.darksky.org](http://www.darksky.org)

Virginia Living Museum • 524 J. Clyde Morris Blvd. • Newport News, VA 23601 • 757-595-1900 • [thevlm.org](http://thevlm.org)